

Safety Instructions

IP44



Info

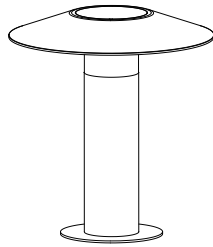
www.paulmann.com

Paulmann Licht GmbH
Quezinger Feld 2
31832 Springe
Germany

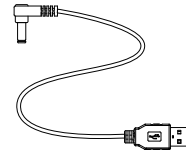
www.paulmann.com

Art.-Nr.: 942.06

PH 11/17



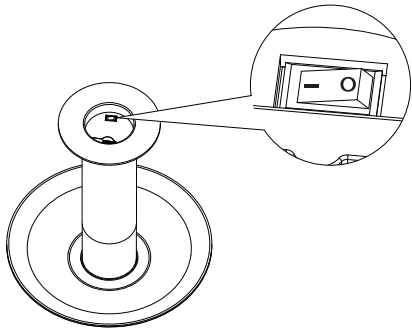
1x



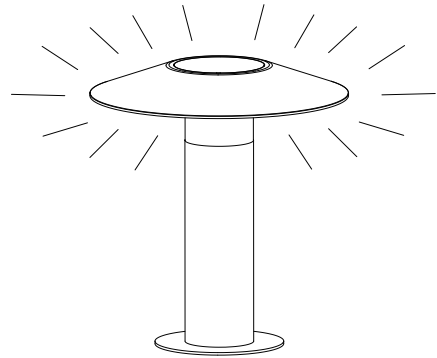
1x



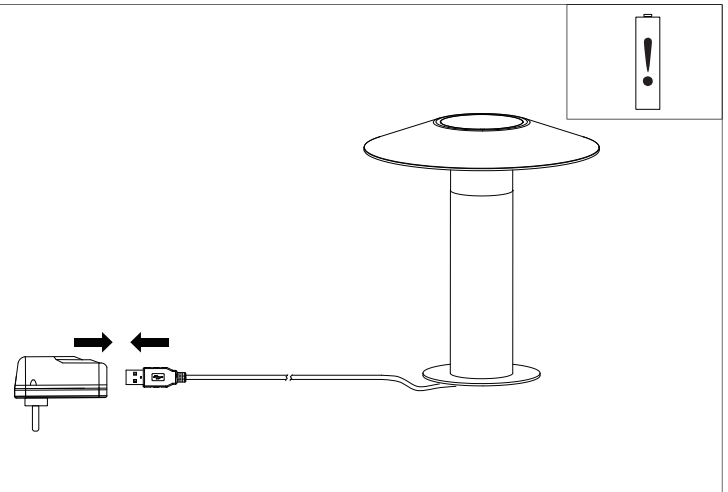
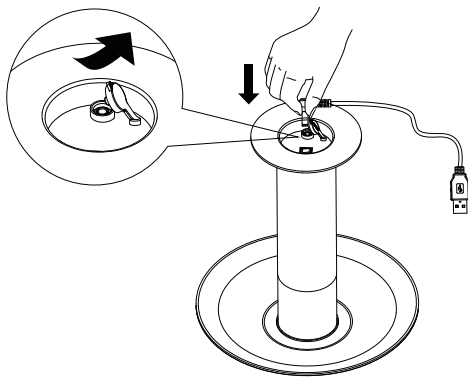
A



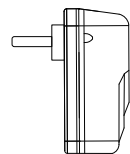
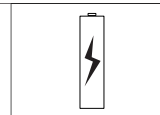
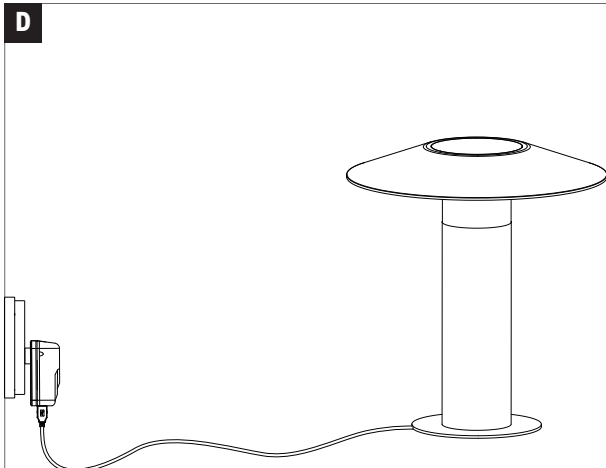
B



C



D



not incl.
USB Power Adapter
5V DC